



The Queen's Platinum Jubilee Beacons



2nd June 2022

Further to the announcement from Buckingham Palace on 2nd June 2021, regarding the Platinum Jubilee Weekend of 2nd - 5th June next year, of which The Queen's Platinum Jubilee Beacons is part, I have pleasure in sending you the first edition of the Guide To Taking Part. The beacon lighting event will take place throughout the United Kingdom, Channel Islands, Isle of Man, UK Overseas Territories and for the first time, in each of the capital cities of the Commonwealth countries on the 2nd June next year.

Pages 11, 12, 13 and 14 show the various types of beacons to be used for this historic occasion that can be lit in farmers fields, on country estates, on the top of high hills, around our shorelines on cliff tops and on beaches, with gas fuelled beacons on church towers and castle battlements and permanent beacon braziers made and lit by craftsmen and women in the centre of town and village greens, providing a lasting reminder of this historic moment in the history of The Queen's reign.

Those wanting to take part are being asked to go to page 10, and provide us with the information requested in Step 1, enabling us to include them in the monthly guide updates over the next eleven months, as well as entering them in the special leather-bound book being presented to The Queen after the Jubilee Weekend, along with being able to send them further information in due course. The guide can also be viewed and downloaded from www.queensjubileebeacons.com.

Many of those receiving this communication will already have permanent beacons in place, so please light them for this occasion.

From pages 16 - 27 you will see those, to date, that have already agreed to take part around the UK and the Commonwealth. These lists and pages in the guide will be added to over the next eleven months as more communities etc, join the project.

From the guide, you will see that we are involving town criers undertaking the Proclamation at **1pm** announcing the lighting of the beacons that evening and pipers playing *Diu Regnare* at **9.09pm**, before the beacons are lit at **9.15pm**.

With this in mind, you may wish to consider sourcing a local piper to play this tune at your beacon location before you light your beacon at **9.15pm**. If this is the case, please register your piper in a similar way to your beacon by no later than **1st June** next year.

This could well be the last chain of beacons lit during The Queen's reign, so we want to make it the largest and most dramatic the world has ever seen. We do hope therefore, that you will help us achieve this by taking part in lighting a beacon at **9.15pm** on 2nd June next year.

My warmest regards,

Bruno Peek

Bruno Peek LVO OBE OPR
Pageantmaster
The Queen's Platinum Jubilee Beacons

Tel: + 44 (0) 7737 262 913
Email: brunopeek@mac.com
www.queensjubileebeacons.com





*The Queen's
Platinum Jubilee
Beacons*



2nd June 2022



YOUR GUIDE TO TAKING PART

Introduction

A warm welcome to all our fellow celebrators.

There is a long and unbroken tradition in our country of celebrating Royal Jubilees, Weddings and Coronations with the lighting of beacons - on top of mountains, church and cathedral towers, castle battlements, on town and village greens, country estates, parks and farms, along beaches and on cliff tops. In 1897, beacons were lit to celebrate Queen Victoria's Diamond Jubilee. In 1977, 2002 and 2012, beacons commemorated the Silver, Golden and Diamond Jubilees of The Queen, and in 2016 Her Majesty's 90th birthday.



The Queen's Diamond Jubilee Beacon, The Mall, London, 4th June 2012.
©Press Association Images.



Town Crier, James Donald - Howick, New Zealand.

On 2nd June 2022, we will celebrate another unique milestone in our history, Her Majesty The Queen's 70th year as our Monarch and Head of the Commonwealth - her Platinum Jubilee. It is a feat no previous monarch has achieved.

More than 1,500 beacons will be lit throughout the United Kingdom, Channel Islands, Isle of Man and UK Overseas Territories, and one in each of the capital cities of Commonwealth countries in recognition of The Queen's long and selfless service. The beacons will enable local communities, individuals and organisations to pay tribute to her as part of the official Platinum Jubilee Weekend of celebrations from 2nd to 5th June 2022.

There are three types of beacons being lit for this historic occasion:

- A free - standing beacon fuelled by bottle gas (see pages 11 & 12)

- A beacon brazier with a metal shield. This could be built by local craftsmen/women or adopted as a project by a school or college (see page 13).

- A bonfire beacon and (see page 14)

Communities with existing beacon braziers are encouraged to light these on the night.

If you wish to take part, you can register your participation by providing the information requested on page 10 under the heading, "How to take part," sending it direct to brunopeek@mac.com.



Bonfire Beacon (HM The Queen's Diamond Jubilee, 4th June 2012). Inveraray Castle, Scotland.
© Inveraray Castle.



A gas fuelled beacon on HM Tower of London in celebration of The Queen's Diamond Jubilee. Photo provided by courtesy of HM Tower of London.

At **1pm** local time Town Criers are being invited to undertake the Proclamation (see page 8) announcing the lighting of the beacons later that evening. As the sun sets at **9.09pm** across the UK and the Commonwealth, individual pipers and pipe bands are being asked to play "Diu Regnare" from central locations of their choice from within their local communities as their personal tribute to Her Majesty The Queen. (This time will vary in each time zone across the world). This unique tune has been especially written for this historic Jubilee by Piper Stuart Liddell, 2020 Glenfiddich

Champion and Pipe Major of the World Champion Pipe Band, Inveraray and District (see page 9).

"The Royal Scottish Pipers' Society are honoured to participate in our Patron The Queen's Platinum Jubilee Celebrations in June 2022.

Her Majesty's extraordinary service to this country is unparalleled. Accordingly, we encourage everyone to express their appreciation and gratitude by supporting this amazing Jubilee event," said Gordon Wallace, Hon. Pipe Major, Royal Scottish Pipers' Society.



Piper Robert Cunningham on the Peak of Scafell Pike, England. By kind permission of The National Trust.

Alan Hay, Chairman of The Royal Celtic Society whose Patron is Her Royal Highness The Princess Royal said, "Having for two hundred years been at the cutting edge of traditional music and language in Scotland, we recognise the enormous commitment Her Majesty The Queen, has made in serving the Commonwealth and its people. We are delighted therefore, to encourage all our members to participate in the Jubilee celebrations and our pipers to play Diu Regnare, composed by our member Stuart Liddell in honour of this historic event."

The National Piping Centre, whose Patron is His Royal Highness The Prince of Wales, is also delighted to be involved in The Queen's Platinum Jubilee Beacons, and will be encouraging pipers throughout the UK, Channel Islands, Isle of Man, and in the capital cities of the Commonwealth, to play this special tune five minutes before the beacons are lit that evening.

"The Royal Scottish Pipe Band Association would be delighted to support such an auspicious occasion and we will invite all our members to support this initiative as events like these help promote the long standing relationship the The Royal Scottish Pipe Band Association has with The Royal Family and we congratulate Her Majesty The Queen on her Platinum Jubilee," said Kevin Reilly, Chairman RSPBA.



Northumbrian Piper Andrew Davidson.

“The Northumbrian piping community will be extremely thrilled and honoured to be involved in this tremendous project being organised to recognise The Queen’s Platinum Jubilee,” said Tom Fairfax - Trustee, Northumbrian Pipers’ Society.

To coincide with the lighting of the beacons throughout the Commonwealth, choirs in local communities will be encouraged to sing a specially written song. A competition to select the song will take place throughout the Commonwealth and I have asked my good friends from the Commonwealth Resounds, a musical organisation accredited to the Commonwealth with many years of experience, to coordinate this on my behalf. Details of the competition can be found on the website www.commonwealthresounds.com.

“The Royal Institution of Chartered Surveyors (RICS) is honoured to lead the lighting of the UK’s Anchor Chain of beacons for our Patron’s historic Platinum Jubilee. It is only fitting that this aspect of the beacons will be led by RICS Matrics, a key part of our organisation which supports many thousands of young professionals in shaping their own future history and lasting legacy.” Sean Tompkins, CEO RICS.



Hadrian’s Wall runs from Wallsend in Tyneside through the county of Northumberland to the west of Carlisle, Cumbria, England. Photos by courtesy of Roger Clegg.

"The NFU is delighted to be supporting The Queen's Platinum Jubilee Beacons and will be encouraging our members throughout England and Wales to light beacons as part of the celebration. From the uplands to the lowlands, our farmers will be lighting beacons on the most iconic parts of the countryside in tribute." Minette Batters, President, NFU.

Walking with the Wounded, one of our country's leading Forces charities, will light gas-fuelled beacons on top of the four highest peaks in the UK - Ben Nevis, Scotland; Scafell Pike, England; Mount Snowdon, Wales, and Slieve Donard, Northern Ireland, paying tribute to The Queen while raising valuable funds for the welfare of wounded service personnel.

Beacons will also be lit on The Queen's Sandringham and Balmoral Estates, at the Copper Horse statue of King George III in Windsor Great Park, Hillsborough Castle, Northern Ireland, and on the battlements of the Tower of London. In my home town of Great Yarmouth, Norfolk, the Borough Council will light its beacon brazier on the town's famous Golden Mile. One will also be lit outside the 17th century Tan Hill Inn in the Yorkshire



The lighting of the Beacon at the Lizard Lighthouse for The Queen's 90th Birthday Beacons. Courtesy of Trinity House.

Dales, the highest pub in Great Britain. English Heritage will light at least 17 beacons on heritage sites, and others will be lit in Enniskillen, County Fermanagh, Northern Ireland; Sark and Alderney in Channel Islands, St Davids, the most westerly City in Wales, and the Isle of Wight.

One Voice Wales, which has taken part in previous jubilee events, will be inviting member councils to light beacons, and Historic Houses will encourage member estates to participate too.

Shining a light for the Platinum Jubilee will be Tameside and Glossop Integrated Care Foundation Trust, a hospital to the east of Manchester in one of the most deprived areas of the country. Working with local sculptors and welders, they will create a beacon resembling a giant crown made from recycled hospital beds.

The Sea Cadets will build and light 50 beacons across the UK, from the highlands of Scotland to the Channel Islands, from Northern Ireland and Wales, to Kent and Essex. The Army Cadets are also supporting the event and will light the National Sports Beacon at the start of the National Athletics Championships in Grantham.

Dyfed & Glamorgan Army Cadet Force will light a beacon on top of Pen-y-Fan, the highest peak in South Wales, as part of a pan-Wales Army Cadets event to mark the Jubilee.

We are also pleased to confirm the involvement of Girlguiding throughout the UK, Channel Islands and the Isle of Man, with Girlguiding Chief Guide Amander Medler saying, "I'm delighted that Girlguiding is supporting the lighting of Beacons to celebrate this very special Jubilee marking the 70-year reign of our Patron Her Majesty the Queen."

Beacons are being lit on some of our country's oldest estates, including Woburn Abbey, Highclere Castle, Cholmondeley Castle, Hatfield House, Belvoir Castle, Holkham Hall, Houghton Hall, Bolton Abbey, Blenheim Palace, Arundel Castle, Chatsworth, Wellington, Roxburgh and Badminton. Hadrian's



Battel Bonfire Boyes. Photograph by Clifton Brothers.

Wall Partnership and its communities along the Wall are also involved and will be lighting celebration beacons.

"Battel Bonfire Boyes, (photo above) the world's **oldest** bonfire society, is delighted to be lighting a beacon in celebration of The Queen's Platinum Jubilee as part of this amazing tribute," said Matt Southam, press & publicity officer.

The Right Honourable Lord McLoughlin CH, BTA Chairman said, "I would like to encourage every City, County, Borough, District, Regional, Community, Town and Parish Council throughout Great Britain to light a beacon in celebration of this unique moment in The Queen's life, and would ask all those taking part to go to page 9 of this Guide and register their involvement as soon as possible."

"The National Coastwatch Institution is delighted to be part of this important tribute to Her Majesty The Queen, and will be encouraging all its 56 watch stations around the coast of England and Wales to take part in lighting beacons on the night," said Commander Lesley Suddes RN, Chairman NCI.

Beacons will also be lit at Coastwatch Scotland's Irvine and St Monans stations by their groups of volunteers.

Captain Ian McNaught, Deputy Master of Trinity House, said, "I am pleased that we at Trinity House can support this event marking HM The Queen's Platinum Jubilee. By lighting beacons at lighthouses around our shores we will help make this a celebration to remember and also honour our long-standing involvement with Her Majesty and The Royal Family."

"The Chiddingfold Bonfire Association (*photo right*) consider it a great honour in using this opportunity to pay tribute to Her Majesty The Queen by lighting a beacon in celebration of her Platinum Jubilee on behalf of our wonderful village and community. Our tradition of lighting beacons for Her Majesty The Queen extends all the way back to her Coronation in 1953, Silver, Golden and Diamond Jubilees and her 90th Birthday Beacons. The earliest known record of a beacon lighting in the village is for George V's Silver Jubilee of 1935," said Simon Manuel, Chairman of the Association.

As this will be the last chain of Beacons lit during The Queen's 70-year reign, we hope that individuals, local authorities, voluntary and youth groups, farming communities and others will join with the many organisations who have already agreed to take part in this special tribute to Her Majesty on 2nd June 2022. Let's make it the largest celebration of its kind the world has ever seen.

Please be kind enough to register your involvement by providing the information requested on page 10 and sending it to brunopeek@mac.com as soon as possible, but **no later than 1st June 2022** so that we can keep you informed.

Bruno Peek

Bruno Peek LVO OBE OPR
Pageantmaster
The Queen's Platinum Jubilee Beacons



Chiddingfold Bonfire Society Torchlight Procession. Photograph by Steve Baker.

A Proclamation



Oyez Oyez Oyez

*Today in our nation - and throughout the Commonwealth -
we are celebrating our glorious Queen's Platinum Jubilee.*

*Elizabeth - the second of that name -
our most beloved Sovereign and Head of the Commonwealth for seventy years.*

*How apt that this should be the Platinum anniversary of her coronation -
Platinum - that most noble of metals,
more precious even than gold.*

*And so it is in honour of this unique occasion
that beacons will be lit this evening
throughout the United Kingdom,
the Channel Islands, the Isle of Man and the UK Overseas Territories -
and in all the Capital Cities of the Commonwealth.*

*Let it be known,
in proclaiming this tribute to Her Majesty the Queen on her Platinum Jubilee,
that we are one nation and one Commonwealth.*

God Save The Queen



Jane L. Smith, Bognor Regis Town Crier
and author of the Proclamation.



Diu Regnare

Music written by Pipe Major Stuart Liddell - Glenfiddich Champion Piper

The musical score for 'Diu Regnare' is presented in ten staves of music. It is written in treble clef with a key signature of one sharp (F#) and a time signature of 6/8. The score includes various musical notations such as notes, rests, and dynamic markings. There are first and second endings indicated by '1' and '2' above the staves. The piece concludes with a double bar line and repeat dots.



Stuart Liddell at Duntrune Castle on the north side of Loch Crinan in Argyll, Scotland.

Stuart Liddell

How to take part and beacon lighting ceremony

How to take part

Step 1: To confirm your involvement and make important communication as easy as possible please register your involvement, providing the information below, direct to brunopeek@mac.com as soon as possible please, but **no later than 1st June 2022.**

If your event is a private occasion and NOT open to the public, and you do not want your involvement shown on any public or media listing, it is important that you confirm this when providing information. Your participation will still be noted as part of this historic occasion but NOT made public. However, if your event IS open to the public, your contact details will be shared with the media so that they can contact you direct to arrange any publicity and/or coverage of your event.

Name and Job Title of Contact/Coordinator
Name of Council or Organisation
Name of Piper, if applicable
Name of Town Crier, if applicable
Name of Choir, if applicable
Postal address including county and postcode
Name of capital city - Commonwealth countries only
Country - ie England, Wales, Scotland, Northern Ireland, Channel Islands, Isle of Man, UK Overseas Territory, Commonwealth Country
Telephone number - landline
Mobile number
Email address
Beacon location - if known when registering, please include the postcode

Public or private event

Ensure you have undertaken all the safety measures outlined on pages 11 and 12 before lighting your beacon. Alert the emergency services, including the Fire Brigade, undertake any risk assessments required and ensure everyone involved is happy and familiar with your plans. (This is your responsibility as coordinator).

Beacon lighting ceremony - 2nd June 2022

The Beacon lighting ceremony should be undertaken as follows:

Step 2: Invite your Lord Lieutenant, Deputy Lieutenant, Lord Mayor, High Sheriff, High Steward, Lord Provost, Chairman or Leader of the Council to light your beacon. Alternatively, you may like to organise a competition in partnership with your local media, with the winner having the honour of lighting the beacon.

Step 3: You might consider having professional photographs taken during your event. Immediately after, please send no more than two high quality, copyright-free photographs to brunopeek@mac.com, including the name of the photographer, the beacon location, county, country and postcode, along with the name of the council or organisation.

Step 4: If appropriate, use social media channels - Twitter, Facebook etc - to promote your event. On Facebook, post photographs of your beacon lighting ceremony.

Step 5: Publicise your event. We will provide you with a Press Release template which you can localise, providing as much information as you wish regarding your event, but including your contact details. You can send this to your local media to enable them to get in touch with you direct.

Step 6: We will confirm your beacon lighting time nearer the event.



Gas fuelled beacon, East Antrim, Northern Ireland.



Bonfire beacon, Killyleagh, County Down, Northern Ireland.



Wood fuelled beacon brazier, Hilton, Derbyshire, England.

Platinum Jubilee Gas-Fuelled Beacon

Bullfinch Gas Equipment

The beacon's burner-head is in the shape of a globe, representing the countries of the Commonwealth, surrounded by a Crown. It is of lightweight construction and comes assembled and complete, with the exception of the gas cylinders, which must be purchased separately. One 47kg propane cylinder or 2 x 19kg cylinders are recommended to give a full flame for a good three quarters of an hour.

These cylinders can be purchased from Flogas Britain who have been supplying Liquefied Petroleum Gas for over 35 years. They have the largest national delivery network in the UK, and hold the Carbon Trust Standard and Royal Warrant. Contact them as soon as possible to avoid delays or disappointment. Phone: **0800 574 574** or contact them via their website: www.flogas.co.uk. For their propane safety data sheet go to <https://www.flogas.co.uk/app/uploads/2-0-propane-cylinder-safety-sheet-v2-1-1.pdf>. The Gas Torch needed to light your beacon safely requires a 400g cylinder of propane with CGA600 fitting - Bullfinch No 1644 or Rothenberger or equivalent. Travis Perkins, Screwfix, Plumb Centers and some DIY stores should have these as stock items, or search online.

The Platinum Jubilee Gas-Fuelled Beacon Package contains:

- Burner unit with Crown & Platinum Jubilee insignia
- 2m high stand
- Ground anchor and rope for fixing the stand to the ground
- 10m hose with the regulator for connecting to the gas
- Gas torch for lighting
- Spanner
- Leak detecting fluid
- Hose assembly and Y manifold to link 2 cylinders
- Lighting and safety instructions

The above items are packed into 2 strong cartons. The tripod describes a circle area of about 1.32m diameter and the beacon has an extended height of about 2.15m.



The beacon is stable in the wind. It is supplied with a ground anchor and rope for securing to the ground if this is possible, or we would recommend the use of sandbags. Full instructions are provided for this. The beacon must be supervised by two people at all times when lit and a fire extinguisher must always be available. It is important that supervision should be undertaken by those who are competent and it is essential that a lighting trial



Gas fuelled Beacon, St Michael's Mount, Cornwall.

takes place before the event to ensure that everyone is fully trained and familiar with the operation. The price of a gas-fuelled Platinum Jubilee Beacon is £490 plus VAT, including carriage to your door within UK mainland (Highlands and Islands excluded). There will be an extra charge for other areas.

Some of the benefits of this style of beacon are that it can be seen for miles once lit, is suitable for all manner of high

and low locations, is easily collapsible and once used can be stored away for later use.

To order your beacon please contact:
Bullfinch Gas Equipment,
Kings Road, Tyseley,
Birmingham, B11 2AJ.
Tel: 0121 765 2000
Fax: 0121 707 0995
Email: sales@bullfinch-gas.co.uk
Web: www.bullfinch-gas.co.uk

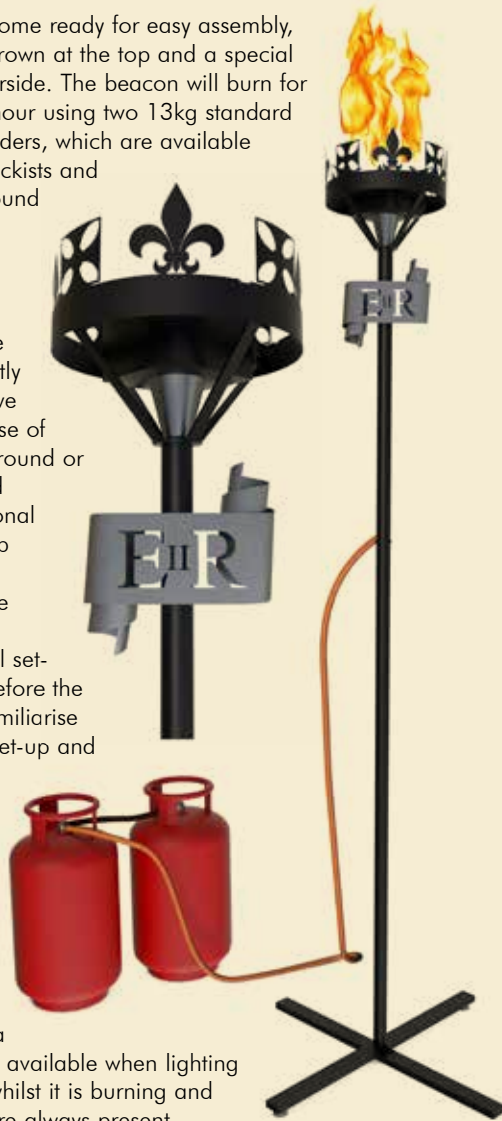


Payment by cheque, BACS transfer, or Credit/Debit Card. Last date to order to guarantee delivery by 29th May is 18th April 2022. However please enquire after this date for availability.

Platinum Jubilee Gas-Fuelled Beacon

21CC Group Ltd

The beacon will come ready for easy assembly, designed with a crown at the top and a special date plaque underside. The beacon will burn for approximately 1 hour using two 13kg standard propane gas cylinders, which are available from most gas stockists and petrol stations around the UK. The gas assembly is easily connected to the burner by a quick release fitting. The beacon is inherently stable; however, we recommend the use of anchors on soft ground or sandbags on hard ground for additional stability. Full set-up instructions are included within the pack and we recommend a trial set-up and lighting before the actual event to familiarise yourself with the set-up and operation. We have included two long-reach lighting sticks so that you can practice lighting the beacon in advance. We would also recommend that a fire extinguisher is available when lighting the beacon and whilst it is burning and that two people are always present.



The Platinum Jubilee Beacon package contains:

- Assembly, lighting and safety instructions
- 2m high stand and burner
- 10m hose with the regulator for connecting to the gas
- Two long-reach lighting sticks
- Spanner and leak detection fluid
- Hose and Y splitter manifold to link 2 cylinders
- No additional connections required - all you need is in the box

Beacon Price:

The price of our beacon is £490 + vat, including carriage within the UK mainland. An additional charge may be applied for other areas.

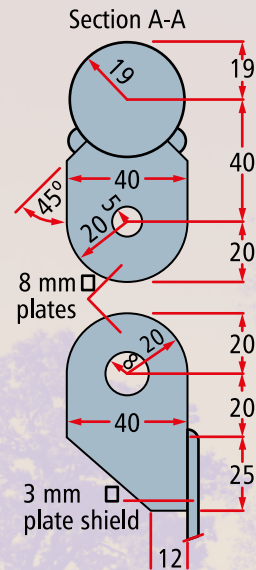
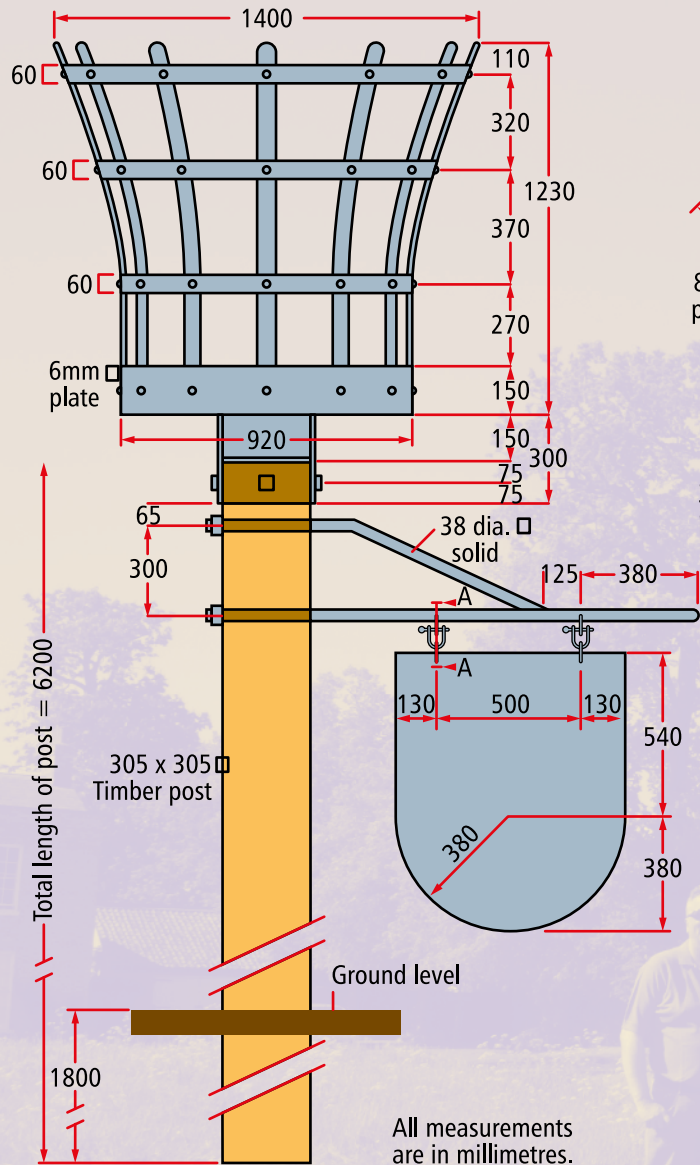
Ordering & Payment

To order your Platinum Jubilee beacon, please contact 21CC Group Ltd by phone; **0131 331 4509** or email our beacon team on beacons@21ccgroup.com. Additional information can be found on our website at www.21ccgroup.com/beacons. Payment can be made in all the usual ways including BACS, cheque and credit/debit card. Orders received before **29th April 2022** will be delivered by 31st May 2022. All orders after 29th April 2022 will be taken on a case by case basis and subject to stock availability.



The lighting of a gas-fuelled beacon at Edinburgh Castle, Scotland in celebration of Her Majesty The Queen's Diamond Jubilee in June 2012.

The Queen's Platinum Jubilee Beacon Brazier



Beacon Brazier with Metal Shield

A beacon brazier will provide a permanent reminder of this unique moment in The Queen's reign. It can be built by local craftsmen and women, and may be used for future historic occasions in your community. It could be sited in a country park, on a hilltop overlooking the sea or a lake, in the centre of your town or village, and could become a tourist attraction for your area.



Materials Required for Beacon Construction

Wooden centre post consisting of 305mm x 305mm wooden post, 6.25 metres in length of which 2 metres goes into the ground.

Basket and fixing brackets consisting of:

- 1 x 920mm diameter steel plate.
- 1 x 4,178mm long 60mm x 5mm steel flat bar rolled into 1,330mm diameter ring.
- 1 x 3,455mm long 60mm x 5mm steel flat bar rolled into 1,100mm diameter ring.
- 1 x 2,985mm long 60mm x 5mm steel flat bar rolled into 950mm diameter ring.
- 1 x 2,922mm long 150mm x 5mm steel flat bar rolled into 930mm diameter ring.
- 12 x (approx 1,250mm long) 60mm x 5mm vertical bars (rolled to shape).
- 1 x 310mm x 310mm x 300mm high connection box welded to base of basket.
- 1 x hanging shield and support: 3.7m length of 38mm diameter solid steel rod.
- 1 x 920mm x 760mm steel plate 3mm thick 4 x connection brackets 8mm thick (see detailed drawings left).
- 2 x pins and loops.



Bonfire Beacon

Locate the bonfire at least 60m away from buildings, roads, railways and public rights of way, and a safe distance from dangerous materials and overhead power lines. Ensure it has good access for the transportation of materials for the bonfire and sufficient space for spectators to stand upwind.

Obtain the landowner's permission and involvement.

Liaise with your local fire brigade and all emergency services in your area, presenting them with your plans, and seek their advice and support.

1 Prepare site by removing top layer of turf and stack away from fire area. Obtain seven poles, 5-6m in length. Attach four guy ropes to top of one pole and anchor as shown.

2 Erect remaining poles as shown, ensuring tops are secured in place.

3 Use either pallets or suitable lengths of timber, spreading them over ground area of beacon for a good through draught. Secure timber horizontally between poles as shown, preventing material placed over the framework from dropping through. Construct access tunnel to the middle of the beacon. Keep middle empty

until required. Always construct the bonfire so it collapses inwards as it burns.

4 Use only wood for combustible materials. Do not burn dangerous items such as foam-filled furniture, old tyres, aerosols or tins of paint. Build upwards until height of centre pole is reached. Materials around top should be loosely packed to allow air flow. Cover bonfire to keep it dry.

5 Fill centre with suitable, dry combustible materials. Check construction is stable and remove any unsuitable materials that may have been added. Look specifically for fireworks, aerosols, highly inflammable materials or containers with such materials.

6 Construct a safety barrier out of ropes and stakes or scaffold poles to ensure public is kept at a safe distance from the fire.

7 *In daylight, and for several hours, and up to lighting, check that there are no children or animals playing or hiding in or round the bonfire. Arrange for at least 12 marshals to be in attendance, and undertake a sufficient safety briefing before lighting the beacon.*

8 The person looking after the fire should not wear lightweight clothing that could ignite easily. They should wear a substantial

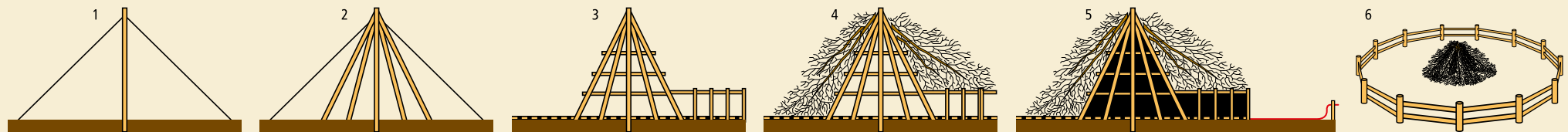
outer garment of wool, or other material of low flammability, and stout boots. They should know what to do in the event of a burn injury, or a person's clothing catching fire, and should have a fire blanket ready in the bonfire area along with a number of fire extinguishers.

9 Lighting: the safest and recommended approach is to use paper and solid firelighters in six places just inside the walls of the beacon to ensure an even burn. Never use flammable liquids such as paraffin or petrol to get it going as this can result in uncontrolled spread of fire or explosion.

10 To light the beacon: from poles 2m in length, prepare hand torches for lighting with paraffin-soaked rags wired around one end. Remember, paraffin is dangerous and great care should be taken. Paraffin can be used as directed, but it is still dangerous and should at all times be treated with great care - for example, always ensure all excess paraffin is drained off rags before use. If spilt on your clothes during the preparation of your beacon lighting you should replace those items of clothing before approaching any naked flames. In particular, always remember to replace the lid on any container of unused paraffin and store it in a safe place away from naked flames. Do not use an accelerant on the fire itself.



Bonfire Beacon, Shipston-on-Stour, Warwickshire, England.



▲ After the event, extinguish fire and collect remaining debris. ▲ Dig over site and re-lay turf. ▲ Leave site clean and tidy.



Above and background: The Tower of London built by William the Conqueror in the early 1080s. Through the centuries, successive monarchs have added to the fortifications.

If you are inviting personal guests to your home it is worth checking with your household insurer that you are covered in the unfortunate circumstances that there should be an accident. If your event includes inviting the public, or it is a third party venue then, where applicable, the following advice should be heeded, to ensure you have a safe and enjoyable event for everyone involved.

Licensing

Generally, all public entertainment has to be licensed by the local authority. The law on this aims to ensure the safety of the public and performers. Local authorities treat each event individually, and what one will allow another will not. Do not be put off by the length of some of the forms - the licensing officer is there to help you.

The licensing officer's job is to advise the local authority's licensing committee on the granting of public entertainment licenses. For small scale events he or she, in effect, makes the decision. Only if your event is contentious will the licensing committee decide to consider the application in detail. Talk to the licensing officer as soon as possible. In Northern Ireland, if you plan to sell alcohol at an event, you will need to apply for an occasional liquor license from the Northern Ireland Court Service.

Insurance

Unfortunately, accidents can happen at even the best organised events. Therefore, you will need to consider and obtain insurance cover for your event, whether you are holding an event on your own premises or someone else's. beacon/bonfire events require specialist public liability cover. If you hire a park or venue or use land owned by a third party for your activity, they are likely to require you to have your own suitable insurance to cover your liability for any injury to the public or damage to other people's land or property.

Legal Essentials and Safety

If hiring equipment for the event, you may need to insure these items; you may also need to consider cover for loss of any financial outlay you incur if the event has to be cancelled for reasons beyond your control, or loss of money, particularly if you are holding a fund-raising event. Therefore, to help you obtain the appropriate insurance, and risk management advice, we are working closely with Unity Insurance Services, which is a specialist insurance broker in the voluntary and non-profit sector.

They have developed a range of bespoke insurance covers specifically for the Beacon/Bonfire events. Unity is owned by a charity and donates all its profits back to charity, so to obtain a quote or for more details or advice on the insurance cover you may need, please visit Unity's website or telephone them on 0345 040 7702.



Alternatively, the licensing officer may be able to direct you to a suitable specialist company or broker, but you should not try to source this kind of insurance from a non-specialist.



Emergency Services

Tell the police well in advance about the type of event you are planning, and get in touch with your local community police officer. Write to the fire brigade and ambulance service, particularly if you are planning to have a beacon/bonfire, fireworks, or an event that will attract a large crowd. St John's Ambulance and the British Red Cross will provide first aid and sometimes a vehicle. In some areas they are simply happy to receive a donation. In others, expect a fee to be charged.



Food and Drink

Basic food hygiene guidelines should be followed at all times if you are providing food and drink. Caterers must have food hygiene certificates. Advice on this subject can be obtained from your local council environmental officer.



Alcohol

If you want to sell alcohol you will need to secure a licence. From February 2005, licenses are granted by the local authority rather than the Magistrates Court. You should therefore contact your local authority licensing section and seek information from them on how to apply. During 2005 all existing licenses have to be renewed and this will inevitably lead to long lead-in-times. Please apply as early as possible.



Site Clearance

The local authority will arrange for clearance and disposal of litter after your event if it is on public ground (check for possible charges). You can help this process by arranging litter bins or recycling bins around the site, and a crew to clear up throughout the event.



Hiring or Borrowing Equipment

Your local authorities, or local event organisers may be able to help you with contacts for supplies such as marquees, portable toilets, barriers and bunting, or may in some cases have these for you to hire and borrow. You may also need to consider generators, a public address system, and emergency flood lighting. If you need to arrange insurance for your hired equipment, Unity Insurance Services can arrange this for you too.



All Ability Access

Access for people with a disability is very important. Many local authorities run community transport schemes. Talk to them about arranging transport. On greenfield sites, access may be improved by cutting the grass before the event.

The Queen's Platinum Jubilee Beacons Acknowledgements

**In recognition for their generous support in funding the design of this publication
Caravan and Motorhome Club**

**(THE LIST OF SUPPORTERS, ORGANISATIONS AND PARTICIPANTS IN ALL ACTIVITIES,
WILL BE UPDATED AT THE END OF EACH CALENDAR MONTH UNTIL 1ST JUNE 2022)**



The Association of Lord Lieutenants, Colonel Edward Bolitho OBE, Lady Dannatt MBE, High Sheriffs' Association of England and Wales, National Association of Civic Officers, Ministry of Housing, Communities & Local Government, Michael Muskett MBE, Walking With The Wounded, HM Tower of London, Sandringham Estate, The Crown Estates, Cardiff Council, Royal Borough of Windsor & Maidenhead, The Commonwealth Resounds, Sea Cadets, Army Cadet Force, Dyfed & Glamorgan Army Cadet Force, The National Cadet Corps (Accra, Ghana), Cyprus Army Cadet Force (Nicosia, Cyprus), The Royal Canadian Army Cadets (Ottawa, Canada), The Australian Army Cadets (Canberra, Australia), Air Training Corps, Backstage Technologie Europe Ltd, Night Train Productions Ltd, Huntingdon Town Council, Flogas Britain, Bullfinch Gas Equipment, English Heritage, Unity Insurance Services, Ottewill Silversmiths & Jewellers Ltd, The High Sheriff Magazine, One Voice Wales, Solace in Business, The Royal Agricultural Benevolent Institution (RABI), Local Government Association, National Farmers Union (NFU), Historic Houses, Country Land & Business Association, Isle of Wight Council, Isle of Man Government, States of Guernsey, Islands of Herm and Jethou, Council of the Isles of Scilly, Arundel Castle, Potters Leisure Resort, Norfolk Tank Museum, Oscar Research Ltd, States of Alderney, Isle of Sark Government, Unst Community Council, Tan Hill Inn, St Davids City Council, Ceremonial News, Piper Lady Jane MacRae, Piper Stuart Liddell and Piper Robert Procter, The Royal Institute of Chartered Surveyors (RICS), SLCC For Local Council Professionals, Studioeast Ltd, Great Yarmouth Borough Council, Ministry of Defence (MOD), The Ancient & Honourable Guild of Town Criers, Mr John Singer, Sir Peter Ogden, RSABI – Supporting People in Scottish Agriculture, Malvern Hills Trust/Conservators, Peter Taunton – Town Crier, The Hadrian's Wall Partnership – Lady Jane Gibson, Undeb Amaethwyr – Farmers' Union of Wales, Scottish Land & Estates, National Federation of Young Farmers' Clubs, Parish of Lanteglos & Village of Polruan, Benedict Heyes, Councillor Carl Smith, SLCC For Local Council Professionals, NFU Scotland, Brampton Parish Council, Roger Clegg – Photographer, Balmoral Estate, Edinburgh Castle, Hillsborough Castle, Highclere Castle, Inveraray Castle, Alnwick Estate, Wellington Estate, Holkham Hall, Belvoir Castle, Arundel Castle, Hatfield House, Blenheim Palace, Badminton Estate, Woburn Abbey, Floors Castle, Caledon Castle, Houghton Hall, Cholmondeley Castle, Chatsworth Estate, Bolton Abbey, Buccleuch Estate, Studio East Ltd, National Association of Local Councils, Society of Local Council Clerks, Government of Jersey, Land's End, Cornwall, Selwyn Johnstone, Northumberland County Council, Peter Taunton, Town Crier for Newport and Stafford, TMS Media Ltd, Northumberland County Council, National Farmers Union of Scotland, Country Women Countrywide, National Coastwatch Institution, Coastwatch Scotland – Irvine Unit, Piper Finlay MacDonald, Sir Brian and Lady Ivory DL – the National Piping Centre, the Corporation of Trinity House, Coastwatch Scotland – St Monans Station, Coastwatch Scotland - Irvine Station, Chiddingfold Bonfire Association, Battel Bonfire Boyes, Burgess Hill Bonfire Society, Cymdeithas Llwodraeth Leol Cymru/Welsh Local Government Association, The Royal Observer Corps, Commercial Square Bonfire Society, Northumbrian Pipers' Society, The Royal Scottish Pipe Band Association, Girlguiding, Maiden Bradley Parish Council, The Royal Scottish Pipers' Society, The Royal Celtic Society, Beverley Town Council, British Tourist Authority (BTA), VisitBritain, Silton Parish Meeting, Lincolnshire County Council.

His Grace The Duke of Norfolk, His Grace The Duke of Rutland, His Grace The Duke of Bedford, His Grace The Duke of Argyll,
His Grace The Duke of Roxburgh, His Grace The Duke of Northumberland, His Grace The Duke of Wellington, His Grace The Earl of Leicester,
His Grace The Earl of Carnarvon, His Grace The Duke of Beaufort, His Grace The Duke of Marlborough, His Grace The Earl of Caledon,
His Grace The Duke of Devonshire, His Grace The Duke of Buccleuch, Lord Salisbury, Lord Cholmondeley, His Grace The Duke of Fife. His Grace The Duke of Somerset.

(more acknowledgements to follow)

Acknowledgements



THE COMMONWEALTH SONG

The Rt Hon Patricia Scotland QC, Secretary-General of the Commonwealth
Bruno Peek LVO OBE OPR, Pageantmaster, The Queen's Platinum Jubilee Beacons
Alison Cox OBE FRSA, Founder and Chairman, The Commonwealth Resounds
Jane Hunt, Marketing and Publicity Manager, The Commonwealth Resounds
Sally-Ann Whitty, Administration Manager, The Commonwealth Resounds
Judith Weir CBE, Master of The Queen's Music and President, Royal Society of Musicians
Stephen Miles, administration and logistics management
Peter Banks



BEACONS

BEACON ANCHOR CHAIN

Royal Institution of Chartered Surveyors (RICS)

England

Deadwater Fell – **Northumberland**. Skiddaw, Nine Standards and Kirby Stephens – **Cumbria**. Holme Moss – **Lancashire**. Mow Cop – **Staffordshire**. Beacon Hill – Charwood, **Leicestershire**.
Lyndon Hall – Oakham, **Rutland**. St Mary's Church – Haverill, Abbey Gardens – Bury St Edmunds and Stowmarket Recreation Ground – **Suffolk**, Blenheim Palace – **Oxfordshire**.
Guiting Power, Clentenham – **Gloucestershire**. Lands End, Chapel Carn Brea, Island of St Ives, Lower Poole Farm, Okehampton and St Agnes Beacon – **Cornwall**. North Molton – **Devon**.
Dunkery Beacon, Brean Down, Weston-super-Mare, Pen Hill, Wells and Tunley, Bath – **Somerset**. Telegraph Hill, Blackheath and Crystal Palace – **London**.
Stanhill Farm, Swanley, Meadon View – Hextable & Heron Park, Lydd – **Kent**. Duncton Down and Ditchling Beacon, Westmeston – **Sussex**.

Scotland

Hayston Hill and Collessie – **Tayside and Fife**. Edinburgh Castle – **Edinburgh**. Criffel – **Dumfries and Galloway**.

Wales

Cefn Ysgwydd Bach, Holyhead, Faenol Famau – **Flintshire**, land adjacent to Jubilee Tower, Moel Famau, Clwydian Range.
St. David's Head. Haverford West Showground. Amroth Beach. Parc Mawr, Penllergaer, Gower. Hill House Farm, St Mary Hill. Mynydd Baeden – **South Wales**.

Northern Ireland

Knockagh Monument – **County Antrim**.
(more acknowledgements to follow)

Acknowledgements

Beacons



FOUR PEAKS

Walking With The Wounded.

England - Scafell Pike (Palgrave Ltd Seaside Good Importers & Distributors).

Scotland - Ben Nevis (Seajacks UK Ltd).

Wales - Mount Snowdon (Isadores - a boutique business and property law firm).

Northern Ireland - Slieve Donard (Stephenson Smart Chartered Accountants & Business Advisors).



OTHER BEACON LOCATIONS IN THE UNITED KINGDOM, CHANNEL ISLANDS AND THE ISLE OF MAN
(THE LIST OF BEACONS, TOWN CRIERS AND PIPERS WILL BE UPDATED AT THE END OF EACH MONTH UNTIL 1ST JUNE 2022)

ENGLAND

Bedfordshire: Woburn Abbey. Donnington Castle (English Heritage). Yelden.

Berkshire: Copper Horse. Windsor Great Park. Highclere Castle.

Cambridgeshire: Huntingdon.

Cheshire: Cholmondeley Castle. Beeston Castle (English Heritage).

Cornwall: Penleath Point overlooking Fowey Harbour. Pendennis Castle (English Heritage) **Not open to the public.**

County Durham: Barnard Castle (English Heritage).

Cumbria: Brampton. Beeston Castle (English Heritage). Birdoswald Roman Fort (English Heritage).

Derbyshire: Chatsworth Estate.

East Sussex: Battle (Battel Bonfire Boyes). Commercial Square Bonfire Society, Lewes. Bexhill on Sea.

Gloucestershire: Badminton Estate.

Hampshire: Isle of Wight. Wellington Estate. Hurst Castle (English Heritage). Porchester Castle (English Heritage).

Hertfordshire: Hatfield House, British Camp.

Isle of Wight: Carisbrooke Castle (English Heritage).

Kent: Dover Castle (English Heritage), Ashford.

Lancashire: Lancaster City Council.

Lincolnshire: Belvoir Castle, Barkeston Wood. Lincoln Castle.

London: HM Tower of London.

Norfolk: Sandringham Estate. Holkham Hall. Houghton Hall. Norfolk Tank Museum. Potters Leisure Resort. Broad Farm, Salhouse, Norwich.

North Yorkshire: Bolton Abbey. Tan Hill Inn. Pickering Castle (English Heritage). Richmond Castle (English Heritage). Scarborough Castle (English Heritage).

Acknowledgements

Beacons

Northumberland: Alnwick Castle.
Oxfordshire: Blenheim Palace. Henley on Thames Town Council.
Somerset: Taunton.
South Yorkshire: Conisbrough Castle (English Heritage).
Suffolk: Framlingham (English Heritage).
Surrey: Chiddingfold (Chiddingfold Bonfire Association).
Tyne and Wear: Tynemouth Priory (English Heritage).
West Sussex: Arundel Castle, Burges Hill (Burgess Hill Bonfire Society). Bognor Regis Town Council.
Wiltshire: Old Sarum. Maiden Bradley with Yarnfield.
Worcestershire: Beacon Hill, Worcester.

SCOTLAND

Aberdeenshire: Balmoral Castle.
Angus: Kinnaird Castle.
Argyll: Inveraray Castle.
Fife: St Monans (Coastwatch Scotland St Monans Unit).
North Ayrshire: Irvine (Coastwatch Scotland – Irvine Unit).
Roxburghshire: Roxburgh Estate.
Shetland Islands: Unst.

WALES

Brecknockshire: Pen-y-Fan.
Cardiff: Cardiff Castle.
Pembrokeshire: St Davids City.

NORTHERN IRELAND

Belfast: Hillsborough Castle.
County Fermanagh: Eniskillen Castle.
County Tyrone: Caledon Castle.

CHANNEL ISLANDS

Isle of Sark, States of Alderney, States of Guernsey, Isles of Scilly, Isle of Herm, Isle of Jethou, the Government of Jersey.

ISLE OF MAN

Snaefell.

(more acknowledgements to follow)

Pipers - Roll of Honour

PLAYING OF DIU REGNARE

(Written by Pipe Major Stuart Liddell, Glenfiddich Champion Piper)



ENGLAND

Pipe Sergeant Ian Solesbury, City of Norwich Pipe Band – (Martham, Norfolk).
Pipe Major Simon Cater, Great Yarmouth Pipers – (Gorleston-on-Sea, Great Yarmouth, Norfolk).
Piper Allen Clement, Greenhead – (Haltwhistle, Northumberland).
Pipe Major Roger Bayes, City of Norwich Pipe Band.
City of Leeds Pipe Band – (City of Leeds, West Yorkshire)
Pipe Major Andrew Neal
Pipe Sergeant Mhairi Sellar
Piper Alex Thomson
Piper Bob Green
Piper Danny Love
Piper David Danks
Piper George Anderson
Piper Gordon Laycock
Piper Jim Jack
Piper Paula Howes
Piper Richard Ashcrough
Piper Robert Lawson
Piper Robert Procter
Piper Sam Westerman
Drummer Lead Tip Billy MacDonald
Drummer Amanda Liberty
Drummer George Harrison
Drummer Ian Turner
Drummer Stuart Richmond
Drummer Thomas Gallagher



Piper Robert Procter,
City of Leeds Pipe Band.

Pipers - Roll of Honour



SCOTLAND

Pipe Major Stuart Liddell, Inveraray & District Pipe Band – (Inveraray, Argyll and Bute).

Ross Ainslie – (Glasgow).

Pipe Sergeant Gordon Casely, Banchory Pipe Band –
(Nine Stanes Stone Circle, Banchory, Kincardineshire).

Piper Martin Johnstone, Piper to the Braemar Royal Highland Piping Society – (Princess Royal
Duke of Fife Memorial, Braemar, Aberdeenshire).

Piper Peter Wood – (Sandwick, Shetland Islands).

Piper William McCallum – Bearsden, East Dumbartonshire – (Cambeltown, Argyll & Bute).

Pipe Major Ben Duncan – Royal Scots Dragoon Guards Pipes and Drums.

Pipers Stuart McCallum & Piper Kennie MacLeod – McCallum Bagpipes (Kilmarnock, East Ayrshire)

Piper Archie Cowie, 9 years old – Banchory Pipe Band (From the summit of Bennachie, Aberdeenshire)

Delgatie Castle Pipers (Delgatie Castle, Turriff, Aberdeenshire)

Pipe Major Lady Jane MacRae

Drum Major Alexander Aitken

Pipe Sergeant Stuart Thomson

Piper James Mason

Piper Richard Learmouth

Piper Andrew MacKenzie

Piper Joan Johnson

Piper Melenie Horridge

Piper Chris Horridge



WALES

Pipe Major David Clement QPM, Pipes & Drums of the Tyneside Scottish TA Band – (Gowerton, South Wales).



NORTHERN IRELAND

Pipe Major Richard Parkes MBE, Field Marshall Montgomery Pipe Band.



AUSTRALIA

Pipe Major Alisdair McLaren, West Australian Police Force – (Perth).

Pipe Major Matt Fraser, Hawthorn Pipe Band – (Melbourne).

Piper Laura Johnstone, Inveraray & District Pipe Band – Sydney).

Australian Federal Police Pipes & Drums (Canberra, Australia)

Pipe Major Spephen Ladd.

Pipe Sergeant Nicole Koenig.

Pipe Corporal Michael Challen.

Drum Major Steven Terrance.

Drum Sergeant Michelle Hecker.

+ (12-16 Pipers & 6-8 Drummers).

Pipers - Roll of Honour



CANADA

Pipe Sergeant Jack Lee of Simon Fraser University Pipe Band – (British Columbia)
Piper Bruce Gandy, 78th Highlanders Halifax Citadel Pipe Band – (Dartmouth, Nova Scotia)
Ottawa Caledonian Pipes & Drums (Ottawa)
Pipe Major Robert McCarthy
Pipe Sergeant Jamie Letourneau
Piper Alysha Desrochers
Piper Thomas Rozon
Piper Ian Wyllie
Piper Sophia Oueja
Piper Noah Grew
Piper Marie-Helene Briere
Piper Giulia Calvano
Piper Zoe Gracovetsky
Piper Derek Haines
Piper Noah Yateman
Piper Kevin Murison
Piper Maia Gracovetzky
Piper Emily Dessureau
Piper Olivier Corbeil
Piper Felix Mongeon
Piper Alex Schnupp
Piper Chris Howard
Piper Justin Berube
Drum Major Darryl Lim
Drum Sergeant/Lead Drummer Allan McCarthy
Drummer Cameron Aldous
Drummer Francis Mcardle
Drummer Ray Desrochers
Drummer Marc Rozon
Drummer Dominique Moreau
Drummer Nate Mears
Drummer Owen Yateman
Drummer Connor Casey
Drummer Felicity Borgal
Drummer Sofia Calvano

Drummer Jean-Marc Schnupp
Drummer Jonathan French
Drummer Paul Fohr
Drummer Oceanne Gracovetsky



Ottawa Caledonian Pipes & Drums.
Piper & Drummer Zoe and Oceanne
Gracovetsky.

Pipers - Roll of Honour



HAWAII

Celtic Pipes & Drums of Hawaii

Pipe Major Larry Coleman. Pipe Major Dan Quinn.
Pipe Sergeant Tina Yap. Pipe Corporal Patrick Roberts.
Piper Lola Colombe. Piper Chuck Jamison.
Piper Greg Kim. Piper Joe Kindrich.
Piper Anne Kwiatkowski. Piper Howard Lavy.
Piper Jodi Matsuura Eaves. Piper Alan Miyamura.
Piper Hardy Spoehr. Piper Frank Talamantes.
Piper Karen Thompson. Piper Scott Walton.
Piper Pomaikai Wee. Piper Masa Yamaguchi.
Piper & Trumpetor Warren Cone.
Drum Major Joe Miller. Drum Sergeant Tracy Burnham.
Drummer Matthew Bauer. Drummer Lisa Gomes.
Drummer Elizabeth MacNeill. Drummer Kristen McNab.
Drummer Primasita Menor. Drummer Alf Schneider.



MALAYSIA

Piper Alisdair MacRae, Kuala Lumpur Pipe Band – (Kaula Lumpur).



NEW ZEALAND

Pipe Major Alasdair MacKenzie, City of Invercargill Highland Pipe Band – Invercargill).
Piper Matt Fraser – (Auckland).



SOUTH AFRICA

Autshumato Anti-Aircraft Regiment Pipes & Drums

Pipe Major Tony Reis. Pipe Sergeant Mogamat Opperman.
Piper Terence Hutton. Piper Michael Leighton. Piper Emlyn Madziwa. Piper Emily Craven.
Piper Kuhle Mankayi. Piper Luke Marais. Piper Neil Horn. Piper Anton van der Poel.
Piper Wayne Mitchell. Piper James Mitchell.
Drummers: Thabiso Teesow, Lesley Reis, Zhaheed Smith, Melanie Tafila, Mivuyo Khete,
Mihlali Nguzo, Maajidah Opperman, Theo Caesar, Eugene Trofimczyk,
Brogan Reis, John Van Niekerk, Ronnie Masenda.

(more acknowledgements to follow)

Pipe Major Tony Reis said, "The Autshumato Anti-Aircraft Regiment Pipes & Drums will be extremely proud to be performing Diu Regnare from the top of Table Mountain, Cape Town, South Africa, as our tribute to Her Majesty The Queen, in recognition of her 70 years of selfless dedication to the Commonwealth."



Photograph by Tyler Williams.

Town Criers - Roll of Honour

Chelsea Pensioner Roy Palmer will undertake the Proclamation at the Royal Hospital Chelsea.



Photograph by kind permission of Liam Best, Marketing & Communications Manager, Royal Hospital Chelsea.

PROCLAMATION BY TOWN CRIERS (Written by Jane L. Smith, Town Crier for Bognor Regis)



ENGLAND

- Alan Austin - Town Crier (Attleborough, Norfolk).
- Andrew Cunningham-Brown – Town Crier (Sherringham, Norfolk).
- Nigel Wilkin – Town Crier (Swaffam, Norfolk).
- Jason Bell – Town Crier (Holt, Norfolk).
- Bob Lloyd – Town Crier (City of Norwich).
- Brenda Wilson – Town Crier (Newmarket, Suffolk).
- Peter Taunton – Town Crier (Newport & Stafford, Shropshire).
- Jane L Smith – Town Crier (Bognor Regis, West Sussex).
- Marion Lowe – Town Crier (Shipston on Stour, Warwickshire).
- Paul Goring – Town Crier & Town Seargent (Rye, East Sussex).
- Jon Borthwick – Town Crier (Peacehaven & Lewes, East Sussex).
- Jackie Edwards – Town Crier (Kingsteignton, Devon).
- Len Sweales – Town Crier (Wells, Somerset).
- Ken Brightwell – Town Crier (Cheltenham, Gloucestershire).
- Mike Dale – Town Crier (Lenham, Kent).
- Brian Slyvester – Town Crier (Newbury, Berkshire).
- Terry Hamer – Town Crier (Romsey, Hampshire).
- Richard Smith BEM – Town Crier (Beaconsfield, Buckinghamshire).
- Mike Wabe – Town Crier (Watton, Norfolk).
- David Green – Deputy Town Crier (Plymouth and Mayflower Resurgam, Devon).
- David Birdsall – Town Crier (Scarborough, North Yorkshire).
- David Hinde – Town Crier (Helmsley, North Yorkshire).
- Robert Speight – Town Crier (Pershore, Worcestershire).
- Stephen Day – Town Crier (Kidderminster, Worcestershire).
- Michael Wood – Town Crier & three times World Champion (East Riding of Yorkshire).
- Les Long – Town Crier (Henley-in-Arden, Warwickshire).
- John Collingwood – Town Crier (Bridport, Dorset).
- Chris Smirthwaite – Town Crier (Liskeard, Cornwall).
- Jon Bartholomew – Town Crier (Hastings, East Sussex).
- David Bull – Town Crier (Filey, North Yorkshire).
- Christopher Morgan – Town Crier (Leighton & Linslade, Bedfordshire).
- Alistair Chisholm – Town Crier (Dorchester, Dorset).
- Avril Hayter-Smith – Town Crier and Consort Graham Hayter-Smith (City of Ely, Cambridgeshire).
- Peter Stemmer BEM – Town Crier of and Ambassador for (Darlington, County Durham).
- Harry Turburville – Junior Town Crier (Theford, Norfolk).

Town Criers - Roll of Honour

Michael Bluemel – Deputy Town Crier (Rye, East Sussex).
Paul Gough – Town Crier and Reining British Champion TC (Nuneaton & Bedworth, Warwickshire).
Terry Williams – Town Crier (Bodmin, Cornwall).
Carole Williams – Town Crier (Bishops Stortford, Hertfordshire).
Steve O'Dare – Town Crier (Skegness, Lincolnshire).
Chris Brown – Town Mayor's Sergeant & Town Crier of (Wimborne Minster & Colehill, Dorset).
Cris Brown – Town Crier (Royal Borough of Windsor & Maidenhead, Berkshire).
Andrew Stopka – Town Crier (Fairford, Gloucestershire).
Nigel Scott – Town Crier (Axbridge, Somerset).
Jacquie Hall – Town Crier (Wareham, Dorset).
Trevor P Heeks – Town Crier & Freeman (Trowbridge, Wiltshire).
Dave Parsons – Town Crier (Alton, Hampshire).
Jim Weeks – Town Crier (Bideford, Devon).
Mike Billingham – Town Crier (Medway, Kent).
John Lawrence – Town Crier (Cirencester, Gloucestershire).
John Scholey FICE – Town Crier (Royal Tunbridge Wells & Westerham, Kent).
Ray Wales – Town Crier (Downham Market, Norfolk).
Bill Lomas – Town Crier (Leek, Staffordshire).
Angela Standing – Town Crier (Arundel, West Sussex).
Bob Smytherman – Town Crier (Worthing, West Sussex).
Barry McQueen – Town Crier (Blackpool, Lancashire).
Barry Heap – Town Crier (Richmond, North Yorkshire).
Kevin Reid Griffiths – Town Crier (Skipton, North Yorkshire).
Rawden Kerr – Town Crier (Great Harwood, Lancashire).
Robert Needham BA – Town Crier (Wivenhoe, Essex).
Martin Wood – Town Crier (Shrewsbury, Shropshire).
Les Cutts – Town Crier (Halifax, West Yorkshire).
George Carpenter – Town Crier (Wotton under Edge, Gloucestershire).
Terry Ford – Town Crier (Otley, West Yorkshire).
Mike Andrews – Town Crier (Ferndown, Dorset).
Chris Brown – Town Mayor's Dergeant & Town Crier (Wimborne Minster & Colehill, Dorset).
John Hadfield – Town Crier (Westbury, Wiltshire).
Majorie Dodds – Town Crier (Chester-le-Street, County Durham).
Roger Hewitt – Town Crier (Knaresborough, North Yorkshire).
Vic Watson – Town Crier (Huddersfield, West Yorkshire).
Lionel Knight – Town Crier (Truro, Cornwall).
Don Evans – Town Crier (Ormskirk, West Lancashire).
Geoffrey Russell – Town Crier (Market Drayton, Shropshire).
Charles Morgan – Town Crier (Bishopsteignton, Devon).
Jane Dodd – Town Crier (Chesham, Buckinghamshire).

Jason Ede – Town Crier (Newhaven, East Sussex).
Simon Bartlett – Town Crier (Bampton and Huntsham, Devon).
David Bradshaw – Town Crier (Newquay, Cornwall).
Andrew Downing – Town Crier (Stamford, Lincolnshire).
Martin Payne – Town Crier (Bungay, Suffolk).
Peter Powell – Town Crier (Lymm Cross, Cheshire).
Karen Bailey – Town Crier (Swadlincote, Derbyshire).
John Parsons – Town Crier (Macclesfield, Cheshire).
David Charles Milton – Town Crier (Watchet, Somerset).
John Griffiths – Town Crier (Sleaford, Lincolnshire).
Elizabeth Anderson-Watson – Town Crier (Barnoldswick, Lancashire).
Steven Holt – Town Crier (Morley, West Yorkshire).
David Summers – Town Crier (Mablethorpe & Sutton, Lincolnshire).
Alan Spencer – Town Crier (City of Southampton, Hampshire).
Joseph David – Town Crier (Hinkley, Leicestershire).
Roy Palmer – Town Crier (Royal Hospital Chelsea, London).
Hilary McGrath – Town Crier (Garstang, Lancashire).
Michael Hickmott – Town Crier (Tenterden, Kent).
Pete Green – Town Crier (Wymondham).
Kevin N Ward – Town Crier and Bellman (Court Leet & Court Baron of the Manor of Bromsgrove).



Michael Wood, Town Crier,
East Riding of Yorkshire.

Town Criers - Roll of Honour



WALES

Susie Blower – Town Crier (Montgomery, Powys, Wales).
David Salter – Town Crier (Llanfair Caereinion, Powes).
Bob Williams – Town Crier (Pontardawe, Swansea)
Janet Swindale – Town Crier (Llandrindod Wells, Powys)
Jon Wilks – Town Crier (Cowbridge, Vale of Glamorgan)



NORTHERN IRELAND

John Cartwright – Town Crier (Ballynahinch, County Down)



AUSTRALIA

Bob Townshend – Town Crier (Southern Downs Regional Council, Queensland, Australia)
Stephen Clarke OAM – Town Crier (Central Coast Council, New South Wales, Australia)
Gavin Barker – Town Crier (Moorabool Shire, Australia)
Tom Benny – Honary Town Crier (City of Salisbury, South Australia)
Judith Cambell – Town Crier (Campaspe Shire, Victoria & Murray River Council, New South Wales, Australia)
Ken Ashford – Town Crier (Fraser Coast Regional Council, Australia)
Joseph McGrail-Bateup – Town Crier (Queanbeyan, Australia)
Alan Moyses – Town Crier (Bega Valley Shire, Australia)
Bill Wallace – Town Crier (Municipality of Lane Cove, New South Wales, Australia)
James Carter – Town Crier (Strathbogie Shire, Victoria, Australia)
Frederick Krebs – Town Crier (City of Redcliff, Queensland, Australia)
Timothy Keith – Town Crier (Parkes Shire, New South Wales, Australia)
Graham Keating – Town Crier (City of Sydney, New South Wales, Australia)
Mark Overell – Town Crier (City of Ipswich, Queensland, Australia)
Syd Norman – Town Crier (Scenic Rim Regional Council, Australia)
Philip Greenbank, President, Australasian Guide of Town Criers & – Town Crier (Hepburn Shire, Victoria, Australia)
Mike Willett – Town Crier (Victor Harbour, Australia)



Stephen Clarke, Town Crier of NSW Central Coast, Australia, plays a fanfare on a Bugle before undertaking a Proclamation. This is most significant because at the top of the Gosford Coat of Arms there is a Cockrel standing on the bugle. Gosford is the capital of the NSW Central Coast and Stephen has been the official Town Crier there since 1990.

Town Criers - Roll of Honour

Kyle Frederick Sturgess – Town Crier (Bland Shire, New South Wales, Australia)
Kevin Howarth – Town Crier (Toowoomba Regional Council, Queensland, Australia)



BERMUDA

A David Frith JP – Town Crier (St George's, Bermuda).
Ed Christopher – Town Crier (City of Hamilton, Bermuda).



CANADA

Ken Templeman – Town Crier (Collingwood, Canada).
Tom Kerr – Town Crier (Municipality of Trent Hills, Canada).
Bruce C Kruger MB SBStJ – Town Crier (Bracebridge, Ontario, Canada).
Jenn Olivero – Town Crier (Hanover, Canada) & Secretary to the Ontario Guild of Town Criers.
David McKee – Town Crier (Brantford, Canada).
Gary Long – Town Crier (Canning & Berwick, Nova Scotia, Canada).
Athol Hart – Town Crier (Newmarket, Ontario, Canada).
Stephen J Travers – Town Crier (City of Barrie, Ontario, Canada).
John Webster – Town Crier (City of Markham & Towns of Aurora, East Gwillimbury & Cary, Canada).
David Vollick – Town Crier (City of Burlington, Ontario, Canada).
Tom Pekar – Town Crier (Port Colborne, Ontario, Canada).
Wes Libbey – Town Crier (Stormont, Dundas & Glengary Historical Society, Cornwall, Ontario, Canada).
Patrick M Sirianni – Town Crier (City of Niagara Falls, Ontario, Canada).
Liam Cragg – Town Crier (Township Alnwick / Haldimand, Ontario, Canada).
Daniel Richer Dit Lafleche – Town Crier (Ottawa, Canada).
Brian Mabee – Town Crier (1000 Islands known as Gananoque, Ontario, Canada)
James Stewart – Town Crier (New Glasgow, Nova Scotia, Canada)
Larry Davis – Town Crier (Brant County, Ontario, Canada)



HAWAII

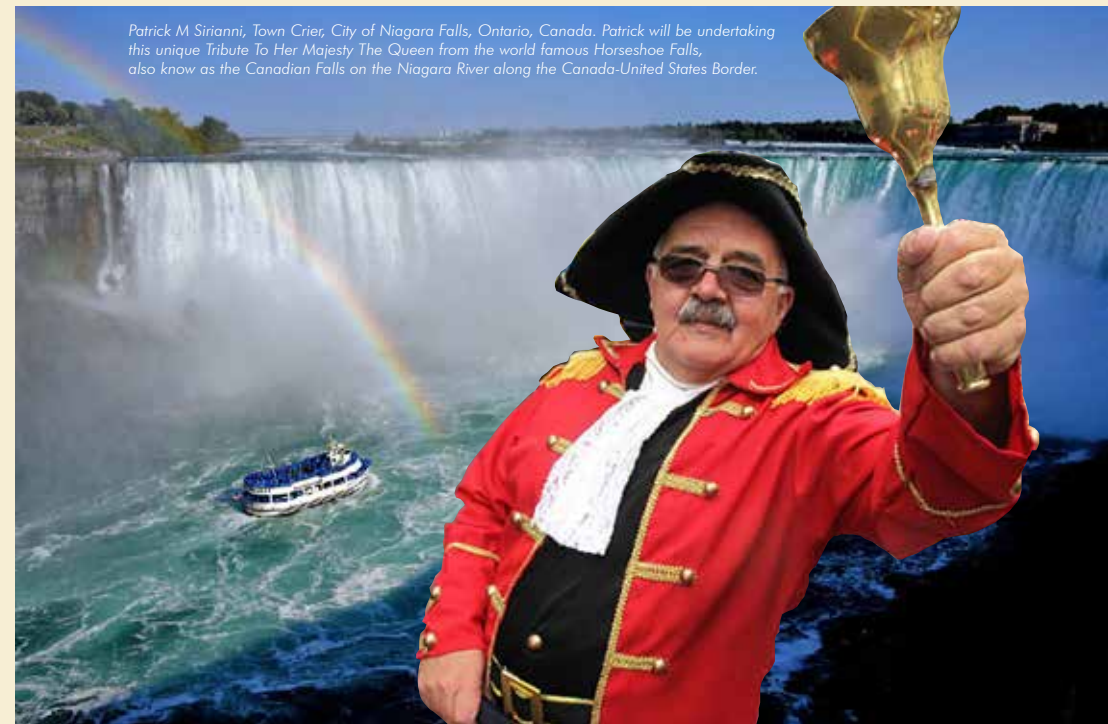
Hardy Spoehr – Town Crier (Honolulu, Hawaii). Hardy will be undertaking the 'Cry' from the steps of the Lolani Palace, the home of the Kings and Queens of Hawaii.



NEW ZEALAND

James Donald - Town Crier (Howick, New Zealand)
Lyal Brenton JP - Town Crier (Palmerston North, New Zealand)
Paddy-Ann Pemberton – Town Crier (Central Otago, New Zealand)
Lynley McKerrow – Town Crier (Southland Council, New Zealand)

(more acknowledgements to follow)



Patrick M Sirianni, Town Crier, City of Niagara Falls, Ontario, Canada. Patrick will be undertaking this unique Tribute To Her Majesty The Queen from the world famous Horseshoe Falls, also known as the Canadian Falls on the Niagara River along the Canada-United States Border.



The Queen's Platinum Jubilee Beacons



2nd June 2022

Bruno Peek LVO OBE OPR

Pageantmaster

The Queen's Platinum Jubilee Beacons

Telephone: + 44 (0) 7737 272 913

Email: brunopeek@mac.com

The playing of DIU REGNARE

Piper Liaisons

Piper Robert Procter & Piper Stuart Letford

Bruno Peek LVO OBE PR, Pageantmaster

will NOT be available via email from

12noon on 30th May through to 6th June 2022

but will be contactable on + 44 (0) 7737 262 913

from 7am through to 10pm GMT.

Front and back cover photograph:

The Coronation of Queen Elizabeth II, by Cecil Beaton. © Victoria and Albert Museum, London.

Guide designed by TMS Media +44 (0)1493 662929





ROYAL COMMUNICATIONS

Wednesday 2nd June 2021

The Queen's Platinum Jubilee Central Weekend 2022

In 2022, Her Majesty The Queen will become the first British Monarch to celebrate a Platinum Jubilee, seventy years of service, having acceded to the throne on 6th February 1952 when Her Majesty was 25 years old.

There will be year-long Platinum Jubilee celebrations throughout the United Kingdom, the Commonwealth and around the world as communities and people come together to celebrate The Queen's historic reign. Throughout the year, Her Majesty and members of the Royal Family will travel around the country to undertake a variety of engagements to mark this historic occasion culminating with the focal point of the Platinum Jubilee Weekend in June - one year from today.

An extended bank holiday, from Thursday 2nd to Sunday 5th June, will provide an opportunity for communities and people throughout the United Kingdom to come together to celebrate the historic milestone. Across the four days the celebrations will include public events and community activities, as well as national moments of reflections on The Queen's 70 years of service.

Thursday 2nd June

The Queen's Birthday Parade (Trooping the Colour): Over 1,400 parading soldiers, 200 horses and 400 musicians will come together in the traditional Parade to mark The Queen's official birthday, usually held on the second Saturday in June.

Beginning at Buckingham Palace, the Parade will move down The Mall to Horse Guard's Parade, joined by Members of the Royal Family on horseback and in carriages. The Parade will close with the traditional RAF fly-past, watched by The Queen and Members of the Royal Family from the Buckingham Palace balcony.

Platinum Jubilee Beacons: The United Kingdom's long tradition of celebrating Royal Jubilees, Weddings and Coronations with the lighting of beacons will be continued to mark

the Platinum Jubilee. Beacons will be lit throughout the United Kingdom, Channel Islands, Isle of Man and UK Overseas Territories.

For the first time, beacons will also be lit in each of the capital cities of the Commonwealth countries to celebrate The Queen's Platinum Jubilee.

Friday 3rd June

Service of Thanksgiving: A Service of Thanksgiving for The Queen's reign will be held at St Paul's Cathedral. Further events will be announced in due course.

Saturday 4th June

The Derby at Epsom Downs: Her Majesty The Queen, accompanied by Members of the Royal Family, will attend the Derby at Epsom Downs.

Platinum Party at the Palace: The BBC will stage and broadcast a special live concert from Buckingham Palace that will bring together some of the world's biggest entertainment stars to celebrate the most significant and joyous moments from The Queen's seven decade reign. Members of the public will be invited to apply to attend this special event and details of the ballot for UK residents to secure audience tickets will be released in due course.

Sunday 5th June

The Big Jubilee Lunch: Every year since the idea began in 2009 The Big Lunch has encouraged communities to celebrate their connections and get to know each other a little bit better, coming together in a spirit of fun and friendship. In 2022 The Big Lunch will bring the Jubilee celebrations into the heart of every community.

People are invited to share friendship, food and fun with neighbours as part of the Platinum Jubilee celebrations. A Big Jubilee Lunch can be big or small - street party or picnic, tea and cake or a garden barbeque. The Big Lunch provides tips and ideas for hosting an event.

The Platinum Jubilee Pageant: A pageant featuring over 5,000 people from across the United Kingdom and the Commonwealth will take place against the backdrop of Buckingham Palace and the surrounding streets. It will combine street arts, theatre, music, circus, carnival and costume and celebrate the service of Her Majesty's reign, as well as honouring the collective service of people and communities across the country.

Further announcements:

Later this month details of a special Jubilee emblem competition, in conjunction with the Victoria and Albert Museum, the Design Museum and the Royal College of Arts, will be released. The winning entry will become the official emblem for the celebrations next year.

More information on the details of the central weekend and other celebratory events across the UK and around the Commonwealth will be made in the months to come.

For further information please contact:

Hannah Howard, Royal Communications, hannah.howard@royal.co.uk 020 7024 5832

Susan Coulthard, Army Communications, susan.coulthard463@mod.gov.uk 07771 835111

Bruno Peek LVO OBE OPR, Platinum Jubilee Beacons, brunopeek@mac.com

Philip Fleming, BBC Studios, philip.fleming@bbc.com 07824 622077

Sarah Boniface, The Big Lunch, SBoniface@EdenProject.com 07904 723277

Rosie Shephard, Platinum Pageant, platinumjubilee@shephardcommunications.com